

CROWN

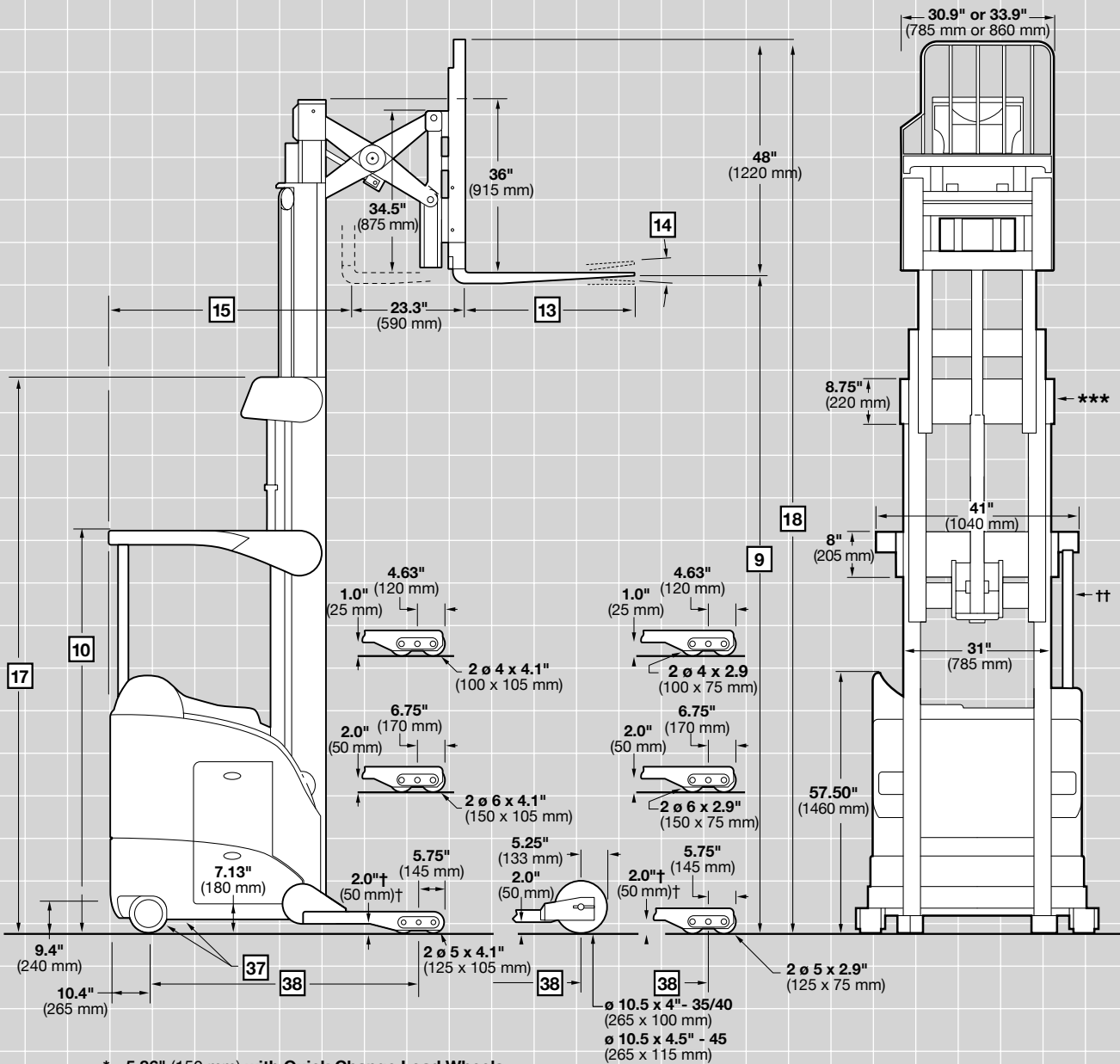
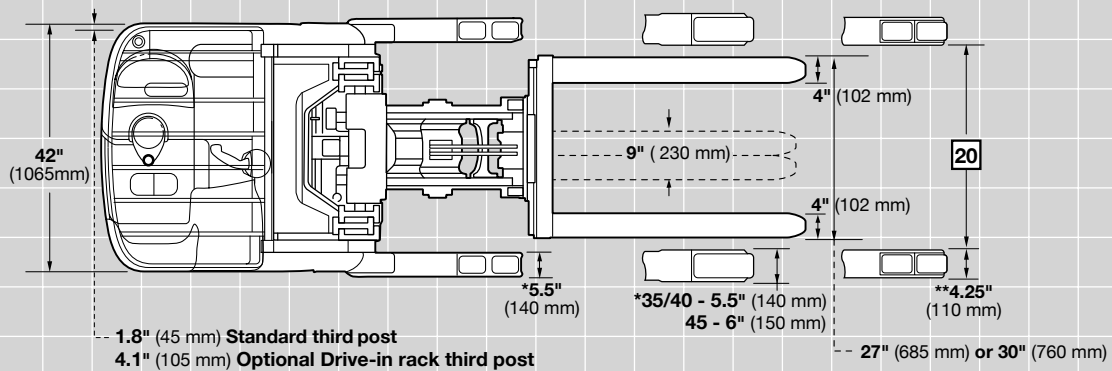
RR 5700 SERIES

Profile Sheet

Narrow-Aisle Reach Truck



RR 5700 Series



* 5.86" (150 mm) with Quick Change Load Wheels

** 4.6" (120 mm) with Quick Change Load Wheels

*** Top tie bar width- 33" (835 mm) for 240" (6095 mm) or 270" (6860 mm) lift. 35" (900 mm) for 300" (7620 mm) and above.

† 1" (25 mm) on lift heights above 321" (8150 mm)

†† Standard third post location, refer to dimension in top view.

RR 5700 Series

			Imperial	Metric	Imperial	Metric			
General Information	1	Manufacturer	Crown Equipment Corporation						
	2	Model	RR 5715-35		RR 5715-40				
	3	Load Capacity*	Max	lb kg	3500	1585	4000	1810	
	4	Load Center	Fork Face to Load CG	in mm	24	600	24	600	
	5	Power	24 Volts						
	6	Operator Type	Reach	Stand					
	7	Tire Type	Load/Caster/Drive	Poly / Poly / Poly					
	8	Wheels (x = driven)	Load/Power Unit	4 / 2 (1x)					
Dimensions		Mast Type	High Visibility						
	9	Lift Height		in mm	See Mast Chart				
	10	Guard Height		in mm	See Mast Chart				
	13	Forks	Standard L x W x T		in mm	36 x 4 x 1.75	915 x 102 x 45		
			Optional Lengths		in mm	30, 39, 42, 45, 48	760, 990, 1065, 1145, 1220		
	14	Carriage	Tilt F°/B°	degree	3 / 4				
	15	Headlength	Comp't "B"		in mm	51.25	1300	51.25	1300
			Comp't "C"		in mm	53.25	1355	53.25	1355
			Comp't "D"		in mm	na	na	na	na
			Comp't "E"		in mm	na	na	na	na
	17	Overall Collapsed Ht.		in mm	See Mast Chart				
	18	Overall Extended Ht.		in mm	See Mast Chart				
20	Inside Straddle Width**	In 1" (25 mm) increments		in mm	34 - 50	860 - 1270	34 - 50	860 - 1270	
Chassis	37	Tires	Size - Drive/Caster	in mm	13 x 5.5 / 8 x 4	330x140 / 203x102	13 x 5.5 / 8 x 4	330x140 / 203x102	
	38	Wheelbase (Standard Wheel)	Comp't "B"		in mm	54.24	1380	54.24	1380
			Comp't "C"		in mm	56.24	1430	56.24	1430
			Comp't "D"		in mm	na	na	na	na
			Comp't "E"		in mm	na	na	na	na
	39	Suspension	Drive	Articulated					
			Caster	Articulated, Swivel					
			Brakes	Drive	Elec Release / Mech Applied				
42	Brakes	Caster	None						
		Parking	Elec Release / Mech Applied						
		Battery Removal	Both Sides						
Battery	45	Type	Lead Acid						
	46	Min Weight/Max Amp	Comp't "B"	lb/amp kg/amp	1600 / 1085	730 / 1085	1600 / 1085	725 / 1085	
			Comp't "C"	lb/amp kg/amp	1880 / 1020	855 / 1020	1880 / 1020	855 / 1020	
			Comp't "D"	lb/amp kg/amp	na	na	na	na	
			Comp't "E"	lb/amp kg/amp	na	na	na	na	
		Max Battery Size Width is measured on the side of the battery with lifting hooks.	Comp't "B"	L x W x H	in mm	38.38 x 14.25 x 31	975 x 360 x 787	38.38 x 14.25 x 31	975 x 360 x 787
Comp't "C"			L x W x H	in mm	38.38 x 16.25 x 31	975 x 415 x 787	38.38 x 16.25 x 31	975 x 415 x 787	
Comp't "D"			L x W x H	in mm	na	na	na	na	
Comp't "E"			L x W x H	in mm	na	na	na	na	

* Contact factory. Capacity may be subject to derating at height.

** Inside straddle is decreased .35" (10 mm) with Quick Change Load Wheels.

RR 5700 Series

			Imperial	Metric	Imperial	Metric		
General Information	1	Manufacturer	Crown Equipment Corporation					
	2	Model	RR 5725-35		RR 5725-45			
	3	Load Capacity*	Max	lb kg	3500	1585	4500	2000
	4	Load Center	Fork Face to Load CG	in mm	24	600	24	600
	5	Power	36 Volts					
	6	Operator Type	Reach	Stand				
	7	Tire Type	Load/Caster/Drive	Poly / Poly / Poly				
	8	Wheels (x = driven)	Load/Power Unit	4 / 2 (1x)				
Dimensions		Mast Type	High Visibility	TT				
	9	Lift Height		in mm	See Mast Chart			
	10	Guard Height		in mm	See Mast Chart			
	13	Forks	Standard L x W x T	in mm	36 x 4 x 1.75		915 x 102 x 45	
			Optional Lengths	in mm	30, 39, 42, 45, 48		760, 990, 1065, 1145, 1220	
	14	Carriage	Tilt F°/B°	degree	3 / 4			
	15	Headlength	Comp't "B"	in mm	51.25	1300	na	na
			Comp't "C"	in mm	53.25	1355	53.67	1365
			Comp't "D"	in mm	na	na	55.42	1410
			Comp't "E"	in mm	na	na	58.04	1475
	17	Overall Collapsed Ht.		in mm	See Mast Chart			
	18	Overall Extended Ht.		in mm	See Mast Chart			
20	Inside Straddle Width**	In 1" (25 mm) increments	in mm	34 - 50	860 - 1270	34 - 50	860 - 1270	
Chassis	37	Tires	Size - Drive/Caster	in mm	13 x 5.5 / 8 x 4	330x140 / 203x102	13 x 5.5 / 8 x 4	330x140 / 203x102
	38	Wheelbase (Standard Wheel)	Comp't "B"	in mm	54.24	1380	na	na
			Comp't "C"	in mm	56.24	1430	59.57	1515
			Comp't "D"	in mm	na	na	61.32	1560
			Comp't "E"	in mm	na	na	63.95	1625
	39	Suspension	Drive	Articulated				
			Caster	Articulated, Swivel				
	42	Brakes	Drive	Elec Release / Mech Applied				
Caster			None					
Parking			Elec Release / Mech Applied					
Battery		Battery Removal	Both Sides					
	45	Type	Lead Acid					
	46	Min Weight/Max Amp	Comp't "B"	lb/amp kg/amp	1600 / 775	725 / 775	na	na
			Comp't "C"	lb/amp kg/amp	1880 / 930	855 / 930	2000 / 930	910 / 930
			Comp't "D"	lb/amp kg/amp	na	na	2280 / 1085	1035 / 1085
			Comp't "E"	lb/amp kg/amp	na	na	2600 / 1240	1180 / 1240
	Max Battery Size	Comp't "B"	L x W x H in mm	38.38 x 14.25 x 31	975 x 360 x 787	na	na	
		Comp't "C"	L x W x H in mm	38.38 x 16.25 x 31	975 x 415 x 787	38.38 x 16.25 x 31	975 x 415 x 787	
		Comp't "D"	L x W x H in mm	na	na	38.69 x 18.00 x 31	983 x 455 x 787	
		Comp't "E"	L x W x H in mm	na	na	38.69 x 20.75 x 31	983 x 525 x 787	

* Contact factory. Capacity may be subject to derating at height.

** Inside straddle is decreased .35" (10 mm) with Quick Change Load Wheels.

RR 5700 Series

Models RR 5715-35, 5715-40, 5725-35 and 5725-45				TT									
Mast	9	Lift Height (RR 5715-35 and -40, 270" Max)	in mm	198"	5025	210"	5330	240"	6095	270"	6855	300"	7620
		Free Lift*	in mm	41	1040	47	1190	59	1495	71	1800	83	2105
	10	Guard Height	in mm	89	2260	95	2415	95	2415	95	2415	95	2415
	17	Overall Collapsed Height	in mm	89	2265	95	2415	107	2720	119	3025	131	3330
	18	Overall Extended Height*	in mm	246	6250	258	6555	288	7315	318	8080	348	8840
		Minimum Straddle OD	in mm	42	1065	42	1065	42	1065	42	1065	42	1065
Weight	Truck Weight w/o Battery		Battery Compartment										
	RR 5715-35	"B"	lb kg	5147	2340	5233	2380	5492	2495	na	na	na	na
	RR 5715-40	"C"	lb kg	5191	2360	5227	2375	5536	2515	5779	2625	na	na
	RR 5725-35	"B"	lb kg	5225	2375	5311	2415	5570	2530	na	na	na	na
		"C"	lb kg	5269	2395	5355	2435	5614	2550	5857	2660	6029	2740
	RR 5725-45	"C"	lb kg	5653	2570	5762	2620	6075	2760	6365	2895	6872	3125
		"D"	lb kg	5695	2590	5804	2640	6117	2780	6407	2910	6914	3145
		"E"	lb kg	5750	2615	5859	2665	6172	2805	6462	2935	6969	3170

Model RR 5725-45				TT								
Mast	9	Lift Height	in mm	321"	8150	341"	8660	366"	9295	400"	10160	
		Free Lift*	in mm	92	2335	101	2565	112	2845	124	3150	
	10	Guard Height	in mm	95	2415	95	2415	95	2415	95	2415	
	17	Overall Collapsed Height	in mm	140	3560	149	3785	160	4060	172	4365	
	18	Overall Extended Height*	in mm	369	9375	389	9885	414	10520	448	11380	
		Minimum Straddle OD	in mm	42	1065	49	1245	50	1270	53	1345	
Weight	Truck Weight w/o Battery		Battery Compartment									
	RR 5725-45	"C"	lb kg	7048	3205	na	na	na	na	na	na	
		"D"	lb kg	7090	3225	7341	3335	na	na	na	na	
		"E"	lb kg	7145	3250	7396	3360	7612	3460	7846	3565	

* With load backrest.

Note: Above 321" (8150 mm), 6" (150 mm) high load wheel standard.



Crown Equipment Corporation

New Bremen, Ohio 45869 USA

Tel 419-629-2311

Fax 419-629-3796

crown.com

You can count on Crown to build lift trucks designed for safe operation, but that's only part of the safety equation. Crown encourages safe operating practices through ongoing operator training, safety-focused supervision, maintenance and a safe working environment. Go to crown.com and view our safety section to learn more.

Because Crown is continually improving its products, specifications are subject to change without notice.

Crown, the Crown logo, the color beige, the Momentum mark, Access 1 2 3, InfoPoint, InfoLink, ThermoAssist, OnTrac and Work Assist are trademarks of Crown Equipment Corporation. Other trademarks are property of their owners.

Copyright 2009-2014 Crown Equipment Corporation
SF18380 Rev. 01-14
Printed in U.S.A.